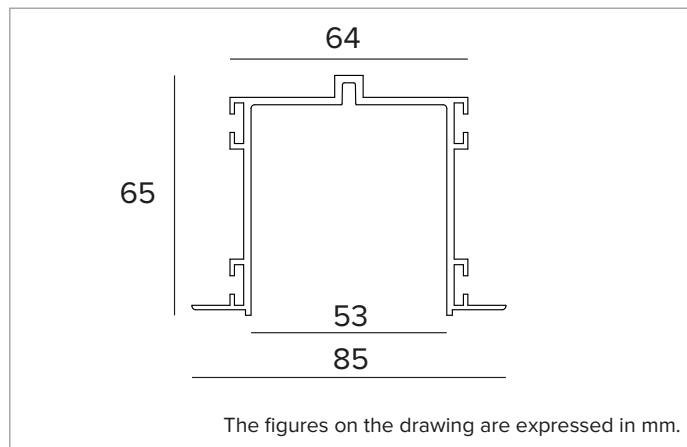
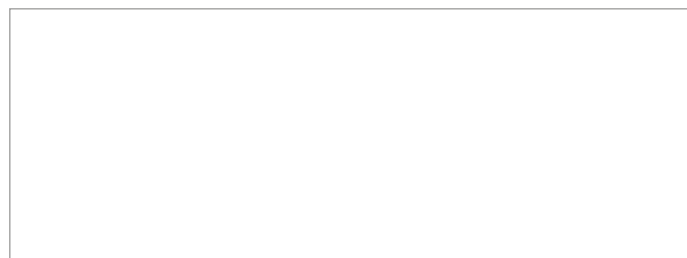


1T7071 | OZ Recessed profile

Recessed profile for 50x50mm light modules



MECHANICAL CHARACTERISTICS

Extruded painted aluminium profile.

Colour and finish: Deep black

Dimensions: L=2000mm

Weight: 2.5Kg

Version: FOR 50x50mm LIGHT MODULES

INSTALLATION

For trimless installation or with a flange.

NOTES

To be completed with Power Track.

WARRANTY

5 years.

WARNING

Luminaire designed for disposal/recycling at end-of-life.

Due to the technological evolution of the electronic components, the data provided may be updated, and as such, confirmation must be requested during the order process.

Luminous flux and power supply have +/-10% tolerances with respect to the indicated value. tq +25°C (CIE 121).

We reserve the right to make technical changes.

Targetti Sankey S.r.l.
Via Pratese, 164
50145 Firenze - Italy
Tel: +39 055 37911
targetti.com
targetti@targetti.com

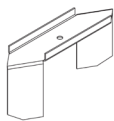
CCIAA Firenze
Share Capital:
€ 500.000,00
VAT N. (IT):
01537660480
R.E.A: FI-275656

TARGETTI

1T7071 | OZ Recessed profile
Recessed profile for 50x50mm light modules

Related codes

Mounting System

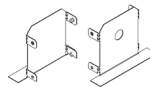


Code

1T7076

Steel bracket for recessed installation of the large profile.
 2 pieces to be ordered for 1m long modules, 3 pieces for 2m long modules and 4 pieces for 3m long modules.

End Caps



Colour

Code

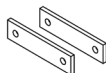


1T7074

Kit containing 2 profile end caps.
 For large recessed profiles.

Accessories

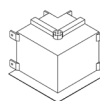
Mechanical connector



Code

1T7041

Kit composed of 2 mechanical linear joints and 4 thrust screws.
 For trimless installation profile.



Colour

Code



1T7438

Mechanical L connector.
 For large recessed profiles.

Due to the technological evolution of the electronic components, the data provided may be updated, and as such, confirmation must be requested during the order process.
 Luminous flux and power supply have +/-10% tolerances with respect to the indicated value. tq +25°C (CIE 121).

We reserve the right to make technical changes.

Targetti Sankey S.r.l.
 Via Pratese, 164
 50145 Firenze - Italy
 Tel: +39 055 37911
 targetti.com
 targetti@targetti.com

CCIAA Firenze
 Share Capital:
 € 500.000,00
 VAT N. (IT):
 01537660480
 R.E.A: FI-275656

